

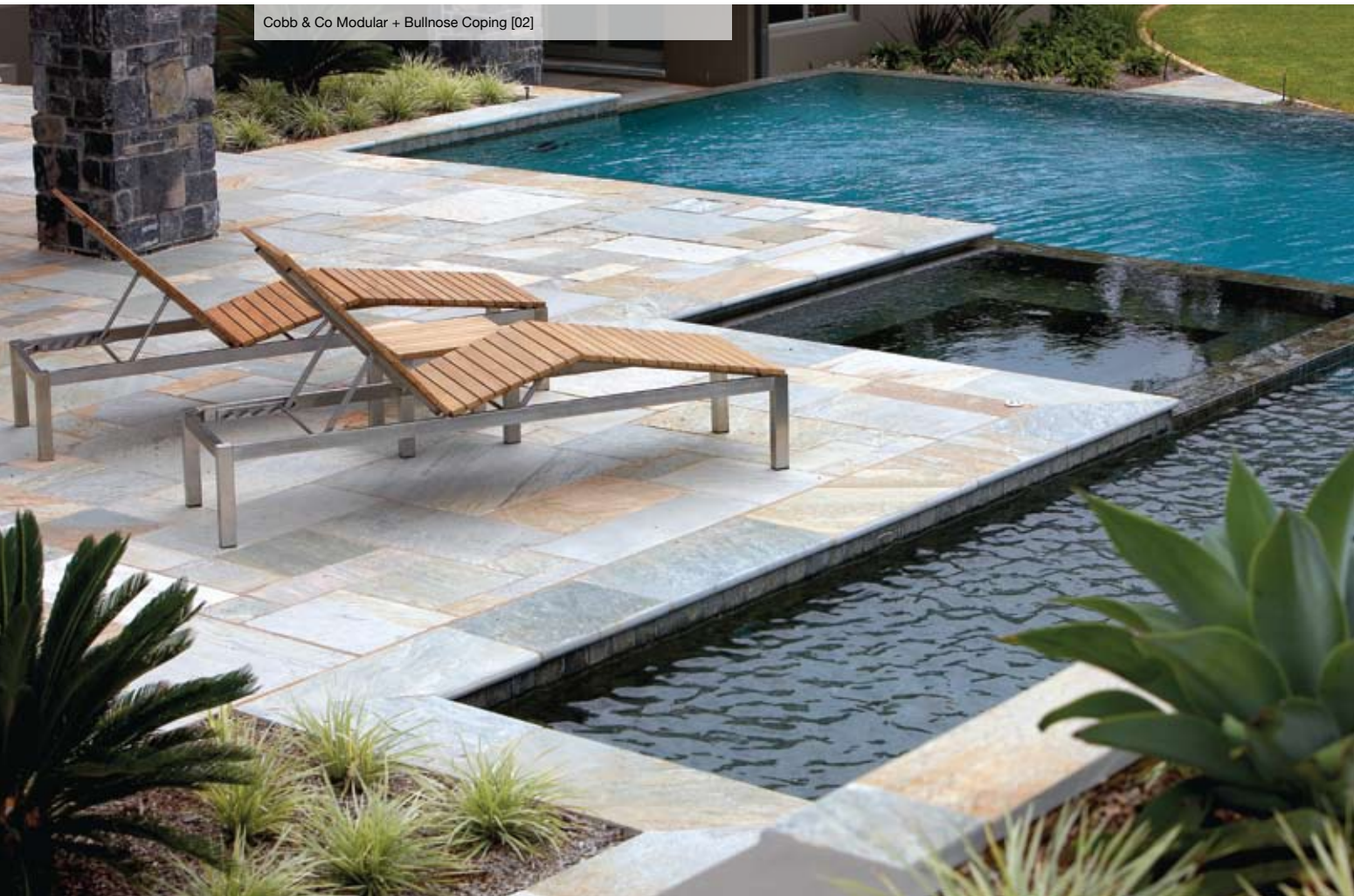


SPLIT STONE

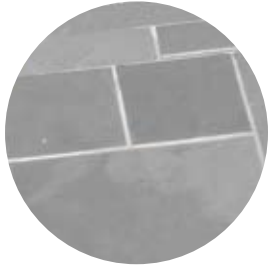
COLOUR RANGES

Abyss
Atlantic
Cobb & Co
Lichen
Myrtle

Cobb & Co Modular + Bullnose Coping [02]



Colour Range



Abyss



Atlantic



Cobb & Co



Lichen



Myrtle

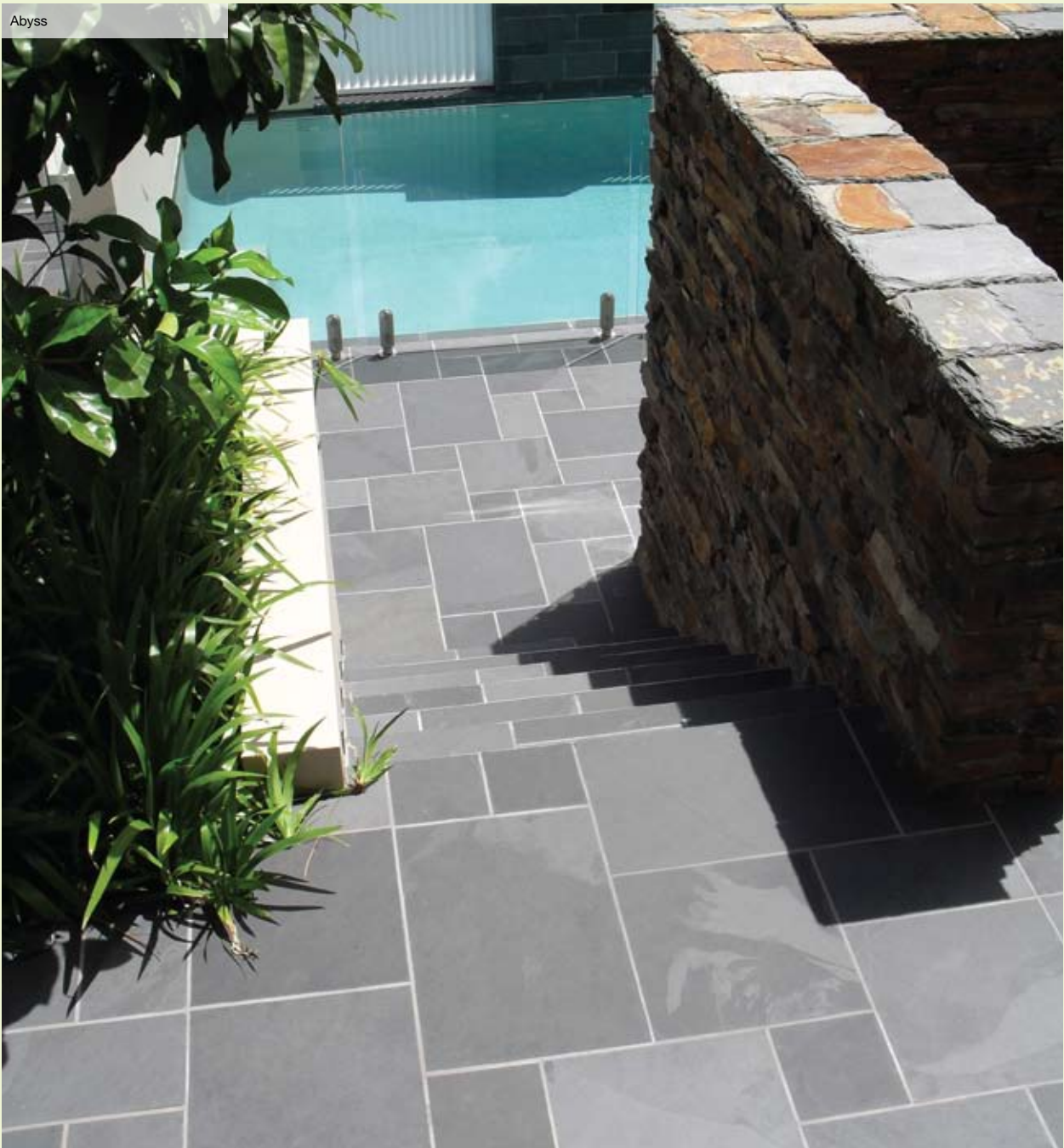
A selection of high resolution 3D textures is available at www.ecooutdoor.com.au



+ Modular patterns can incorporate large format tiles in a cost effective way.

Project Credits

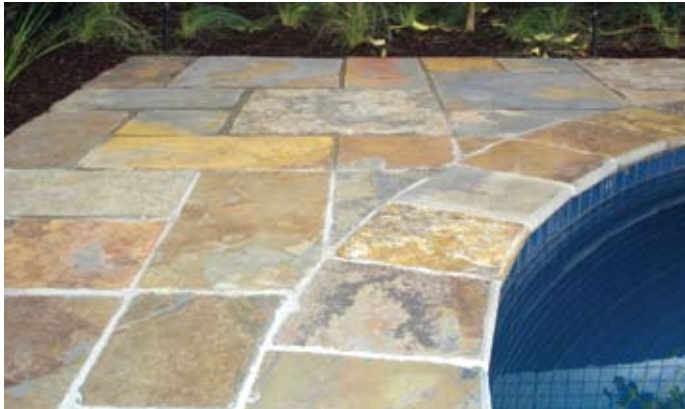
- 01 Aloha Pools VIC
- 02 Rolling Stone Landscapes NSW
- 03 E-GA VIC
- 04 Paul Scrivener Architects /
KMD Landscapes NSW
- 05 Fluid Design NSW
- 06 Aspect Design NSW
- 07 Joanne Green Landscapes NSW
- 08 Penfold Projects QLD
- 09 Rolling Stone Landscapes NSW
- 10 Penfold Projects QLD
- 11 E-GA VIC



SPLIT STONE

+ Myrtle's split edge tiles offer a raw organic flooring that is incredibly forgiving.

Myrtle Modular



Myrtle Modular



Cobb & Co Modular [04]



The top surface of these stones has a natural split finish making them inherently non-slip and ideal for areas such as pools, driveways and pathways.



SPLIT STONE



+ Split stones are dense and salt resistant with a stunning varied colour palette, making them ideal for high traffic areas.

Top: Lichen [06]
Left: Abyss
Below: Cobb & Co Modular



Cobb & Co Cobbles [07]



SPLIT STONE

Cobb & Co Modular



Cobb & Co Modular



Cobb & Co Modular







Blur the lines
between indoors
and out with
seamless flooring

SPLIT STONE

+ A thin profile means split stones transition easily from inside to out.

Cobb & Co Modular + Bullnose Coping [09]



Atlantic [10]



Myrtle Modular [11]



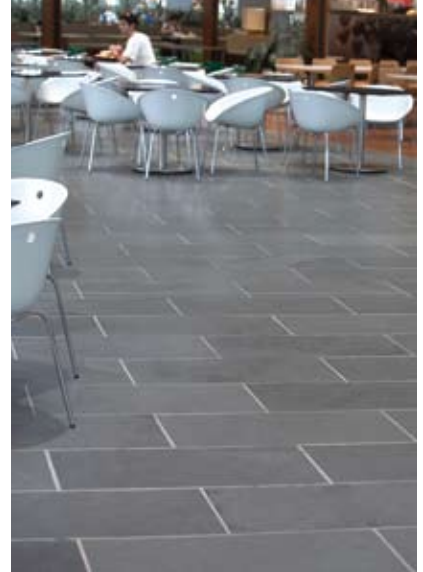


+ Abyss, Atlantic and Lichen have a high degree of dimensional accuracy for easy install, making them a great choice for commercial applications.

Atlantic



Atlantic

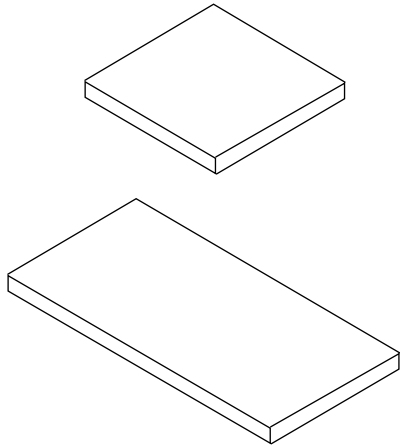


Cobb & Co Modular

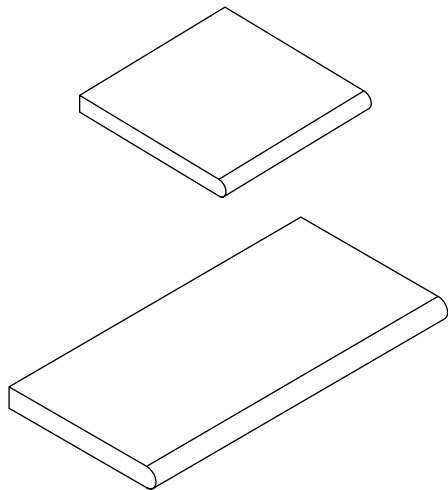


Sizes

Tiles



Single Bullnose Coping



Split Stone tiles have been produced from fine grained sedimentary rock. These stones have been formed layer by layer over millions of years. The pressure exerted over this time has meant that these stones are extremely dense. Typically during production, these products have been split horizontally in line with this layering and then cut vertically into appropriate tile sizes.

Sizes

Cobb & Co

Tiles

100x100mm, 15-18mm
195x195mm, 18-25mm
400x195mm, 18-25mm
400x400mm, 18-25mm
605x400mm, 18-25mm
810x400mm, 18-25mm
810x810mm, 18-25mm

Single Bullnose Coping

400x400mm, 35mm
810x400mm, 35mm

Custom sizes can also be produced on request.

Weight per m² for 20mm tiles is approximately 64kg/m².

Due to variance in thickness these products should be laid on a 25mm wet mortar bed over a concrete slab.

For further information, installation tips and pricing please call a showroom on 1300 13 14 13.

Myrtle

Tiles

195x195mm, 20-25mm
400x195mm, 20-25mm
400x400mm, 20-25mm
810x400mm, 20-25mm
810x810mm, 20-25mm

Single Bullnose Coping

810x400mm, 35mm

Custom sizes can also be produced on request.

Weight per m² for 25mm tiles is approximately 80kg/m².

Due to variance in thickness these products should be laid on a 25mm wet mortar bed over a concrete slab.

Abyss, Atlantic and Lichen

Tiles

195x195mm, 12mm
400x195mm, 12mm
400x400mm, 12mm
605x400mm, 10mm
810x400mm, 12mm
810x810mm, 12mm
Random free length
300–1000 x 50–200mm, 10mm

Single Bullnose Coping

810x400mm, 30mm

Custom sizes can also be produced on request.

Weight per m² for 12mm tiles is approximately 40kg/m².

Given these tiles are calibrated and are relatively consistent in thickness, they can be laid with a tile adhesive over a concrete slab.

Patterns

810 Large Modular Pattern

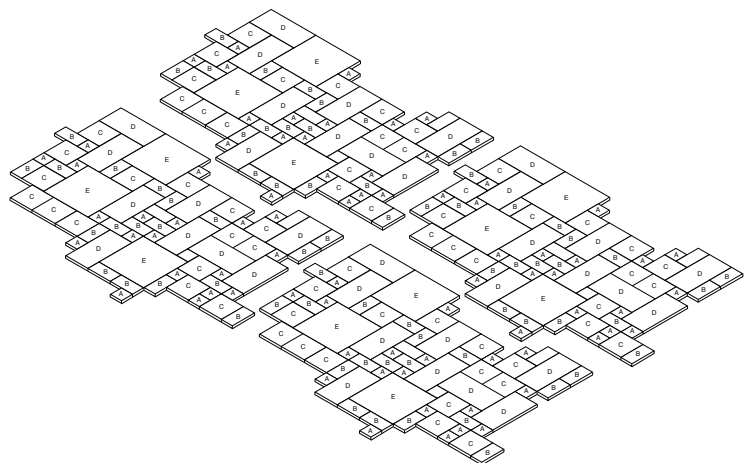
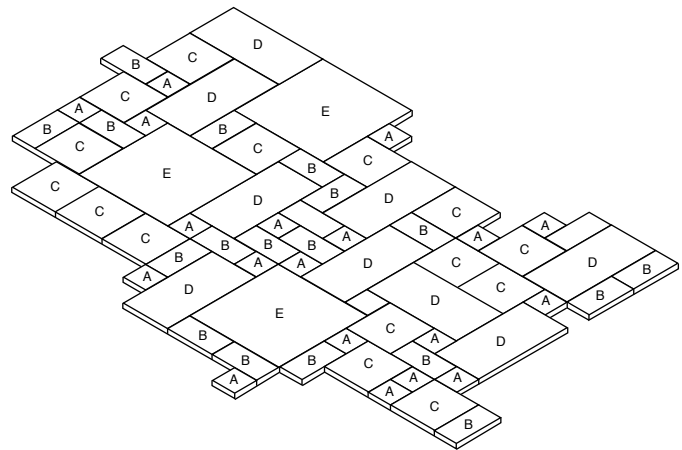
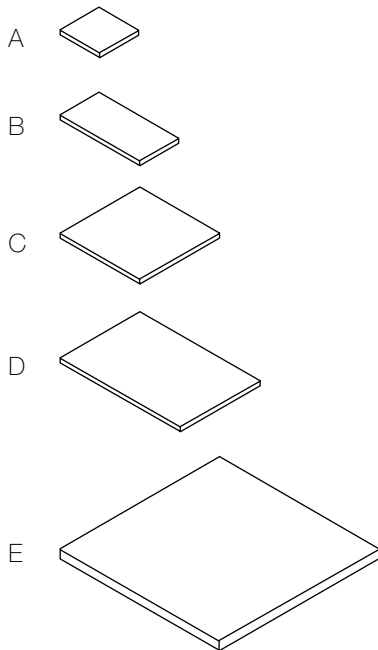
Ratio for 10m ²	Sizes
20	A – 195 x 195
20	B – 400 x 195
17	C – 400 x 400
9	D – 810 x 400
3	E – 810 x 810

This pattern can be interlocked from all sides.

All tile sizes can be used separately or in varying combinations

Tile sizes have been designed to align when using a 7-10mm grout joint

For a download of this pattern refer to our website



Patterns

Small Modular Pattern

Ratio	Sizes
4	A – 195 x 195
2	B – 400 x 195
4	C – 400 x 400
2	D – 605 x 400

This pattern can be interlocked from all sides.

All tile sizes can be used separately or in varying combinations

Tile sizes have been designed to align when using a 7-10mm grout joint

For a download of this pattern refer to our website

